



23' 2014 CONTENDER 23 OPEN — CONTENDER



Builder: CONTENDER

LOA: 23' 0" (7.01m)

Year Built: 2014

Beam: 8' 3" (2.51m)

Model: Sport Fisherman

Min Draft: 1' 6" (0.46m)

Price: ~~Price On Application~~ Off the market

Location: United States

Our experienced yacht broker, Andrey Shestakov, will help you choose and buy a yacht that best suits your needs 23' 2014 Contender 23 Open — CONTENDER from our catalogue. Presently, at Atlantic Yacht and Ship Inc., we have a wide variety of yachts available on our sale's list. We also work in close contact with all the big yacht manufacturers from all over the world.

If you would like to buy a yacht 23' 2014 Contender 23 Open — CONTENDER or would like help answering any questions concerning purchasing, selling or chartering a yacht, please call +1 954 274-4435

TABLE OF CONTENTS

TABLE OF CONTENTS	2
SPECIFICATIONS	3
Basic Information	3
Dimensions	3
Speed, Capacities and Weight	3
Accommodations	3
Hull and Deck Information	3
Engine Information	4
DETAILED INFORMATION	5
Manufacturer Provided Description	5
Standard Features	5
PHOTOS	7
Manufacturer Provided Image: Manufacturer Provided Image	7
Manufacturer Provided Image	7
Manufacturer Provided Image: Manufacturer Provided Image	7
CONTACTS	8
Contact details	8
Telephones	8
Office hours	8
Address	8

SPECIFICATIONS

Basic Information

Year Built: 2014

Category: Sport Fisherman

Sub Category: Center Console

Model Year: 2014

Year Built: 2014

Country: United States

Fly Bridge: No

Cockpit: No

Helipad: No

Dimensions

LOA: 23' 0" (7.01m)

Beam: 8' 3" (2.51m)

Min Draft: 1' 6" (0.46m)

MFG Length: 23' 3" (7.09m)

Speed, Capacities and Weight

Displacement: 2400 Pounds

Fuel Capacity: 150 Gallons

Accommodations

Captain Cabin: False

Hull and Deck Information

Hull Material: Fiberglass

Engine Information

Engines: 2

Manufacturer: Yamaha

Engine Type: Outboard

DETAILED INFORMATION

Manufacturer Provided Description

Versatility. That's the word that comes to mind when describing our 23 Open Fish. Because whether you're fishing a wreck, diving for lobster or giving a sailfish all it can handle, this boat can take you there and then some. Rigged with single or twin Yamaha outboards, this boat can suit just about any lifestyle you and your family live for. Using Contender's 24.5-degree offshore hull design, she cuts through the chop with a soft dry ride, yet remains stable at rest. Amenities include recessed bow rail, forward recessed gunwale rod holders, live well and walk-through transom to name a few. Easily trailered, the 23' is the perfect family fishing machine.

Standard Features

Hull & Deck

- Hand-Laid Fiberglass Throughout High Tech Construction Using Multi-Directional Fabric & Foam Cored Solid Glass Stringer System
- Foam Floatation
- Integral Dive Platform, Full Transom & Transom Door
- Self-Bailing Cockpit
- Non-Skid Cockpit Sole & Deck
- Heavy Duty Rub Rail
- Choice of Hull & Deck Gelcoat Colors
- Hand-Painted Boot & Pin Stripe

Cockpit Sole & Deck Compartments

- Forward Anchor Locker w/Storage
- (1) 75 Gal. Fully Lined & Insulated Forward Fish Box
- (2) 56 Gal. Fully Lined & Insulated, Aft Fish Boxes (Port & Strbd)
- (1) 30 Gal. Round Livewells Under Deck (Excludes Plumbing)

Console

- Walk-In Console w/Head Compartment
- Large Bi-fold, Lockable Electronics Storage
- Lockable Storage Under Console

Mechanical

- International Lighting
- Recessed Pop-Up Bow Light

- Hydraulic Steering w/Custom Steering Wheel
- Waterproof Switches & Breaker Panel w/Indicator Lights
- 2000 GPH Auto/Manual Bilge Pump
- Compass

Hardware

- Chrome on Bronze or Stainless
- Steel Hardware
- Heavy Duty Recessed Bow Lifting Ring w/Cleat (Pop-Up)
- (2) Heavy Duty Stern Lifting Rings
- (2) 8" Stern Cleats
- (4) Lee's Flush Mount Gunnel Rod Holders
- Recessed Bow Handrail

PHOTOS

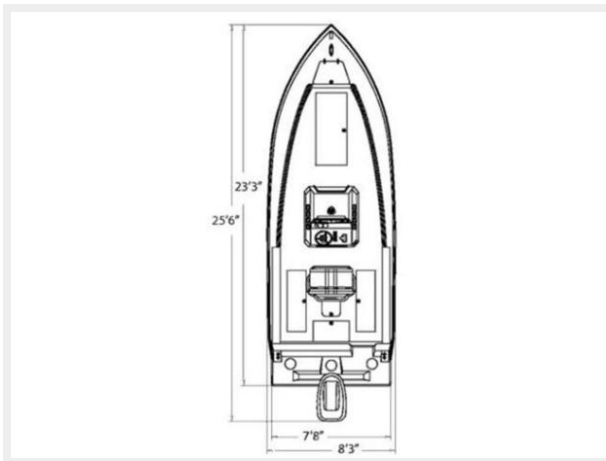
Manufacturer Provided Image



Manufacturer Provided Image: Manufacturer Provided Image



Manufacturer Provided Image: Manufacturer Provided Image



CONTACTS

Andrey Shestakov, leading yacht broker of the sales department of Atlantic Yacht and Ship Inc. Atlantic Yacht and Ship Inc., the official representative of the Miami/Fort Lauderdale FL headquarters.

Contact details

Email: info@atlanticyachtandship.ru

Web: www.atlanticyachtandship.ru/en/

Telephones

USA: +1 954 274-4435

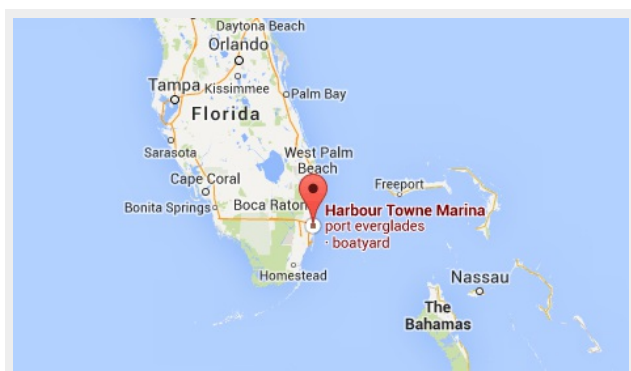
RUS: +7 495 766-6268

Office hours

Monday – Saturday: **9:00 - 21:00** EDT

Sunday: **closed**

Address



Harbour Towne Marina, 850 NE 3rd St,
STE 213, Dania, FL 33004